

EC-Remote Series

Remote controls for
personalizing environmental
parameters



Overview

The EC-Remote Series remote controls allow users to remotely manage all the comfort parameters of a room: lighting, shades / sunblinds, temperature, fan speed and occupancy.

These technologies can be linked to infrared accessories such as multi-sensors, receivers, etc. The remote control sends commands to these accessories to control lighting, sunblind or HVAC controllers.

Features & Benefits

- HVAC, lighting and shades / sunblinds management from a single accessory
- Up to 8 lighting groups and 8 blinds groups handled simultaneously or separately

Model Selection

Examples: EC-Remote-IT

Series	Data Transmission Technology	Temperature Feature	Color
EC-Remote	-I: Infrared	T: With Temperature ¹ , Wall-Mounted [blank]: Without Temperature	[blank]: White

1. Models with Temperature are shipped with a wall-mounted stand.

Accessories

Product Name	Description
EC-Remote Wall-mounted fixture (fixed remote control)	Wall-mounted fixture for fixed remote control. Models available in white (RAL 9010) or grey (RAL 7016).
EC-Remote Wall-mounted holder (removable remote control)	Wall-mounted holder for removable remote control. Models available in white (RAL 9010) or grey (RAL 7016), and holder available with magnets for removable remote control.
EC-Multi-Sensor Series	Line of in-ceiling multi-sensors. Models are available with presence detection, light sensor, temperature sensor, and infrared receiver. For ECB/ECL-PTU Series and ECB/ECL-VAV controllers.

Product Specifications

Power Supply Input

Battery	2 batteries, 1.5 V LR03 type
Indicative Battery Lifetime	2 years (for 4 to 6 emissions per hour)
Sleep mode	6 μ A
Emission	35 mA

Mechanical

Material	Plastic
Color	White
Mechanical Protection	IP20
Dimensions	5.8 x 2.2 x 0.9" (148 x 58 x 25 mm) - see Figure 1
Shipping Box Dimensions	7.0 x 3.1 x 1.6" (178 x 81 x 42 mm)
Shipping Weight	EC-Remote-I: 0.2 lbs (0.10 kg) EC-Remote-IT: 0.26 lbs (0.12 kg)

Environmental

Operating Temperature	41°F to 113°F (+5°C to +45°C)
Storage Temperature	-4°F to 158°F (-20°C to +70°C)
Relative Humidity	20% to 90% Non-condensing

LCD Screen

Screen Dimensions	1.18 x 1.18" (30 x 30 mm)
Display	4 displays, 7 segments + 9 pictograms

Keypad

Material	Elastomer
Number of Keys	9 keys

Temperature Sensor

Type	10 k Ω NTC
Accuracy	\pm 1°C ; \pm 1.8°F

Infrared Reception:

Range in direct sight with EC-Multi-Sensor Series:	7 m (23 ft)
--	-------------

Dimensions

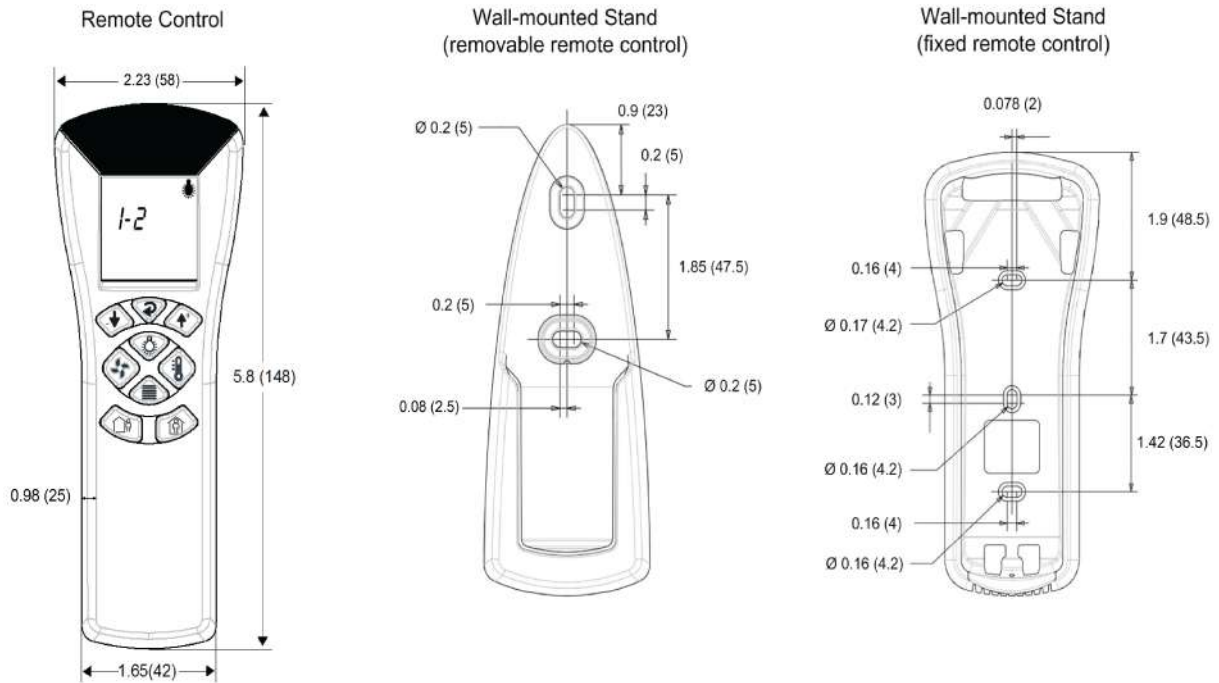


Figure 1: EC-Remote Dimensions

Specifications subject to change without notice.

ECLYPSE, Distech Controls, the Distech Controls logo, EC-Net, Allure, and Allure UNITOUCH are trademarks of Distech Controls Inc. BACnet is a registered trademark of ASHRAE; BTL is a registered trademark of the BACnet Manufacturers Association. The Bluetooth™ word mark and logos are registered trademarks owned by Bluetooth SIG, Inc. and any use of such marks is under license. All other trademarks are property of their respective owners.

©, Distech Controls Inc., 2015 - 2019. All rights reserved.

Global Head Office - 4205 place de Java, Brossard, QC, Canada, J4Y 0C4 - EU Head Office - ZAC de Sacuny, 558 avenue Marcel Mérieux, 69530 Brignais, France