



# LS-HMB10

High Bay End-of-Aisle Sensor



## Overview

High Bay Aisle Way lighting control is easily accomplished by the LS-HMB 10 Series Passive Infrared (PIR) occupancy sensor. This low voltage sensor easily installs to a standard junction box through a 1/2 inch knockout. Designed to be used in pairs, mounted 30 to 45 ft (9.14 to 13.72 m) high at both ends of an aisle, the LS-HMB10 views up to 110 linear ft (33.53 m) of aisle way space. When used with standard LS-PP20 power packs, these sensors are ideal for on/off control of T5/T8 fluorescent lighting.

## Applications

- On/Off control of T5/T8 fluorescent lighting

## Features & Benefits

- Coverage up to 110 Linear ft
- Adjustable Time Delay
- 100% Digital PIR Detection,
- Excellent RF Immunity
- 360° Coverage Pattern
- Push-Button Programmable
- User Adjustable Time Delays
- No Field Calibration or Sensitivity Adjustments Required
- Convenient Test Mode
- 100 Hr Lamp Burn-in Timer

# Product Specifications

Size \_\_\_\_\_ 3.63" H x 3.63" W x 1.50" D (9.22cm x 9.22cm x 3.81cm)  
 Weight \_\_\_\_\_ 6 oz  
 Mounting \_\_\_\_\_ 1/2" knockout  
 Color \_\_\_\_\_ White  
 Operating Voltage \_\_\_\_\_ 12-24 VAC/VDC  
 Current Draw \_\_\_\_\_ Standard: 4 mA, w/ R option: 16 mA  
 Dimming Load \_\_\_\_\_ Sinks <20 mA; ~40 Ballasts @ .5 mA each  
 Rcmd. Power Pack \_\_\_\_\_ LS-PP20  
 Approvals \_\_\_\_\_ RoHS compliant

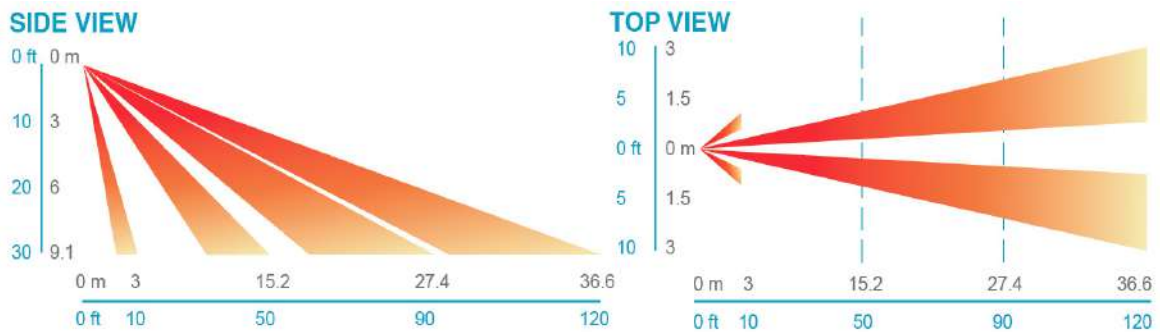
# Model Selection

|                              |                                  |     |       |   |   |   |
|------------------------------|----------------------------------|-----|-------|---|---|---|
|                              |                                  | LS- | HMB10 | X | X | X |
| High Bay End-of-Aisle Sensor |                                  |     |       |   |   |   |
| Relay                        | X = None                         |     |       |   |   |   |
|                              | R = Low Voltage Relay            |     |       |   |   |   |
| Dimming                      |                                  |     |       |   |   |   |
|                              | X = None                         |     |       |   |   |   |
|                              | D = Occupancy Controlled Dimming |     |       |   |   |   |
| Temp/Humidity                |                                  |     |       |   |   |   |
|                              | X = Standard                     |     |       |   |   |   |
|                              | L = Low Temp/High Humidity       |     |       |   |   |   |

# Coverage Patterns

## High Bay End-of-Aisle Lens

- Detects motion from the end of an aisle up to 110 ft (33.53 m) long
- Designed to mount 30 ft (9.14 m) high and 10 ft (3.05 m) back from end-of-aisle
- Sensors should always be applied in pairs facing each other from either end of an aisle



# Wiring (DO NOT WIRE HOT)

## Standard Wiring

RED - Power Input (12-24 VAC/VDC)

BLACK - Common

WHITE - Output (high VDC for occupied)

## Relay Option (R)

GRAY / BROWN - Connected during occupied state

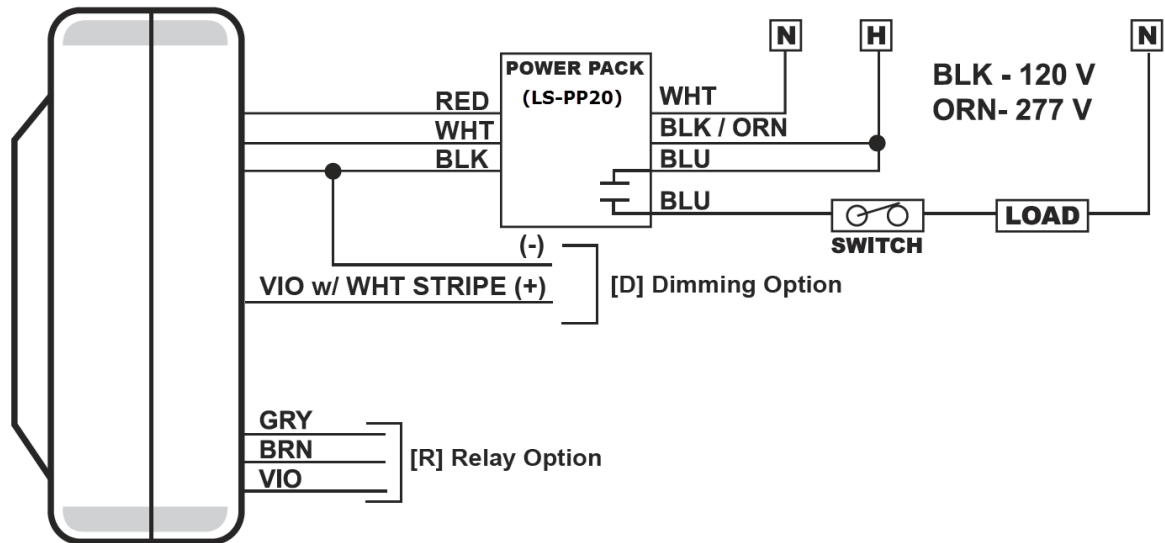
VIOLET / BROWN - Connected during unoccupied state

Note: Relay is energized during unoccupied state

## Dimmin Option (D)

VIOLET w/ WHITE STRIPE - Connect to Violet control wire from 0-10 VDC dimmable ballast

GRAY from Ballast - Connect to sensor Black wire



Specifications subject to change without notice. Performance specifications are nominal and conform to generally acceptable industry standards.  
Manufacturer and/or Supplier shall not be liable for damages resulting from misapplication or misuse of these products.  
ECLYPSE, Distech Controls, and the Distech Controls logo are trademarks of Distech Controls Inc. All other trademarks are property of their respective owner.  
©, Distech Controls Inc., 2017. All rights reserved.