



# CS-RIBXGTV10

Current Sensors & Switches



## Overview

Enclosed, self-powered, split core current sensors (voltage and current output) and switches (fixed and adjustable trip points).

## Applications

- General Load Status
- Motor Status
- Lighting Circuit Status
- Detecting Belt Loss

## Features & Benefits

- Prepackaged for Convenience
- Adjustable or Fixed Thresholds
- Split Core Models
- Miniature Size

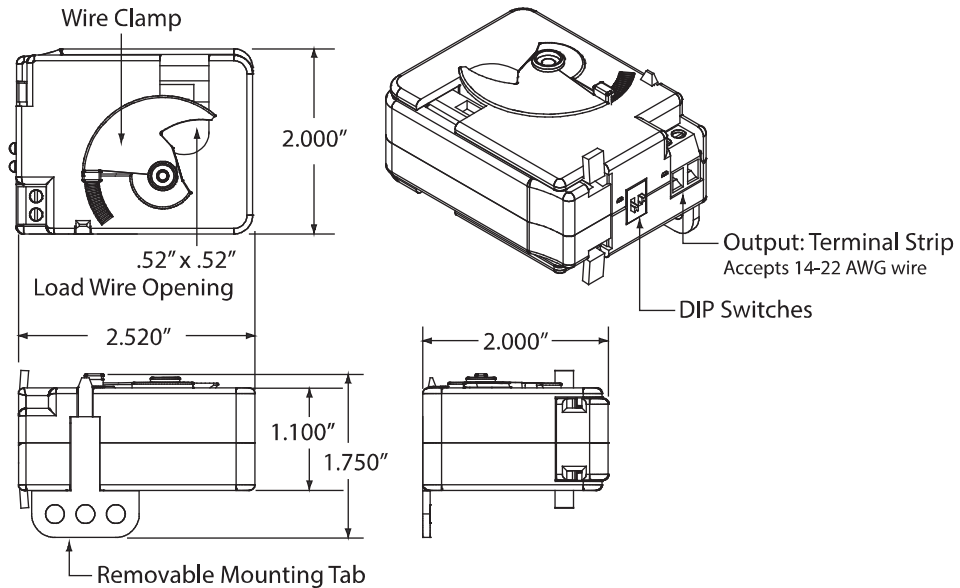
# Product Specifications

Operating Temperature	-30 to 140° F
Humidity Range	5 to 95% (non-condensing)
Range	0-20A, 0-50A, 0-100A
Sensor Output	0-10 Vdc
Accuracy	96.8% Full scale
Max Sense Voltage	600 Vac
Approvals	UL Listed, UL916, UL864, California State Fire Marshal, C-UL, CE, RoHS
Mounting/Installation	Removable mounting tab provided The wire clamp locks against the load wire, securing the unit in place
Sensor Type	Split core with voltage output

## Range Configuration

DIP Switch		Sensor Range
1	2	
OFF	OFF	0-20 Amp
OFF	ON	0-50 Amp
ON	OFF	0-100 Amp

## Dimensions



Specifications subject to change without notice.  
 Distech Controls, and the Distech Controls logo are trademarks of Distech Controls Inc. All other trademarks are property of their respective owner.  
 ©, Distech Controls Inc., 2015. All rights reserved.