

# ECLYPSE™ Wi-Fi Adapter

Wi-Fi Adapter for the ECLYPSE  
Connected Controller Series

ECLYPSE™



## Overview

The ECLYPSE Wi-Fi Adapter enables an ECLYPSE Controller to wirelessly communicate on a Wi-Fi network. Its flexible architecture makes it usable as a Wi-Fi client and a Wi-Fi access point/hotspot.

## Features & Benefits

- Wi-Fi Access Point - extending the building's wired IP network to your Wi-Fi Client devices.
- Wi-Fi Client - Connection to the building's existing Wi-Fi network or to another controller's Wi-Fi Hotspot or Access Point.
- Wi-Fi Hotspot - your own wireless area network, for wireless communication between the controllers, or with a mobile device or laptop for configuration, commissioning and servicing.

# Product Specifications

## Power Supply Input

Power Source	USB powered
Power Consumption	2.5W / 5VA

## Communications

Supported Protocols	IEEE 802.11b/g/n
Frequency Band	2.4GHz
Number of Connected Devices in Hotspot/Access Point Mode	16 maximum
Encryption	WPA2 (hotspot/access point)
Range, Unobstructed Line of Sight	50 feet typical

## Hardware

Connector	USB Type A plug
Cable length	6 feet (1.83m)

## Mechanical

Dimensions (W × diameter)	3.94 × Ø 1.61" (100 × Ø 40 mm)
Shipping Weight	0.4lbs (0.18kg)
Enclosure Material <sup>1</sup>	FR/ABS
Enclosure Rating	Plastic housing, UL94-V0 flammability rating

1. All materials and manufacturing processes comply with the RoHS directive and are marked according to the Waste Electrical and Electronic Equipment (WEEE) directive

## Installation Options

### Mounting Bracket (hardware supplied)

Dimensions (H × W × D)	1.82 H × 3.15 W × 1.58" D (46.15 × 80.00 × 40.13 mm)
------------------------	---

Mounting Screw Hole Diameter	0.15" Ø (3.80 mm)
------------------------------	-------------------

### Floating Ceiling Panel/Tile (hardware supplied)

Flange Diameter	Ø 2.95" (75 mm)
-----------------	-----------------

Mounting Hole Diameter	Ø 1-7/8" (48 mm)
------------------------	------------------

### Electrical Panel

Hole Diameter	¾-inch NPT electrical panel knockout
---------------	--------------------------------------

### Flat Surface

Hole Diameter	Nominal Ø1.115" (26.9 to 32.5mm) hole size
---------------	--

## Environmental

Operating Temperature	32°F to 107.6°F (0°C to 45°C)
Storage Temperature	14°F to 149°F (-10°C to 65°C)
Relative Humidity	15 to 90% Non-condensing
Ingress Protection Rating	IP20
Nema Rating	1

## Standards and Regulations

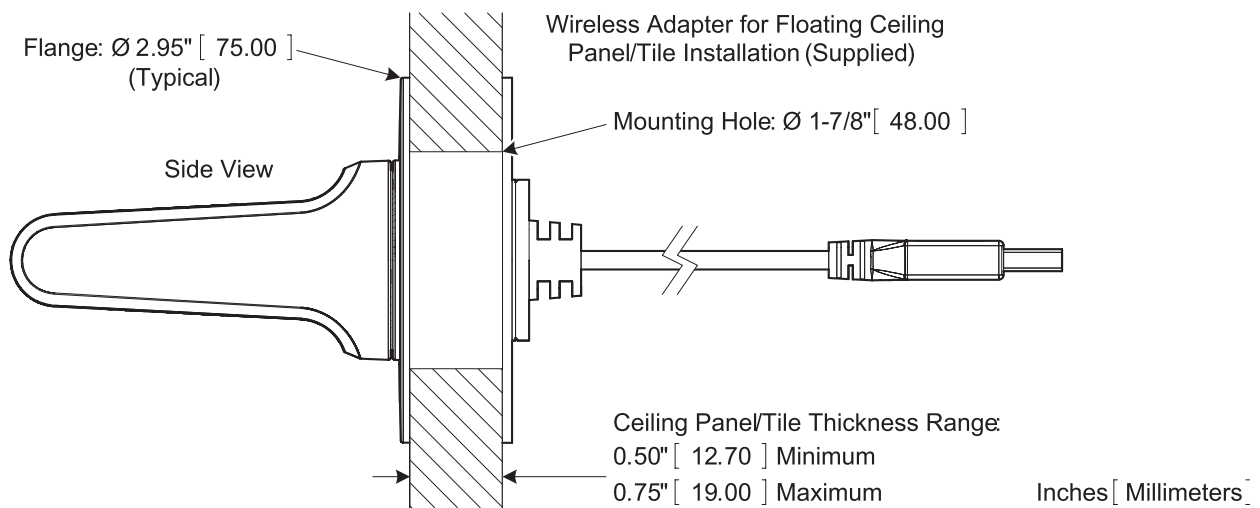
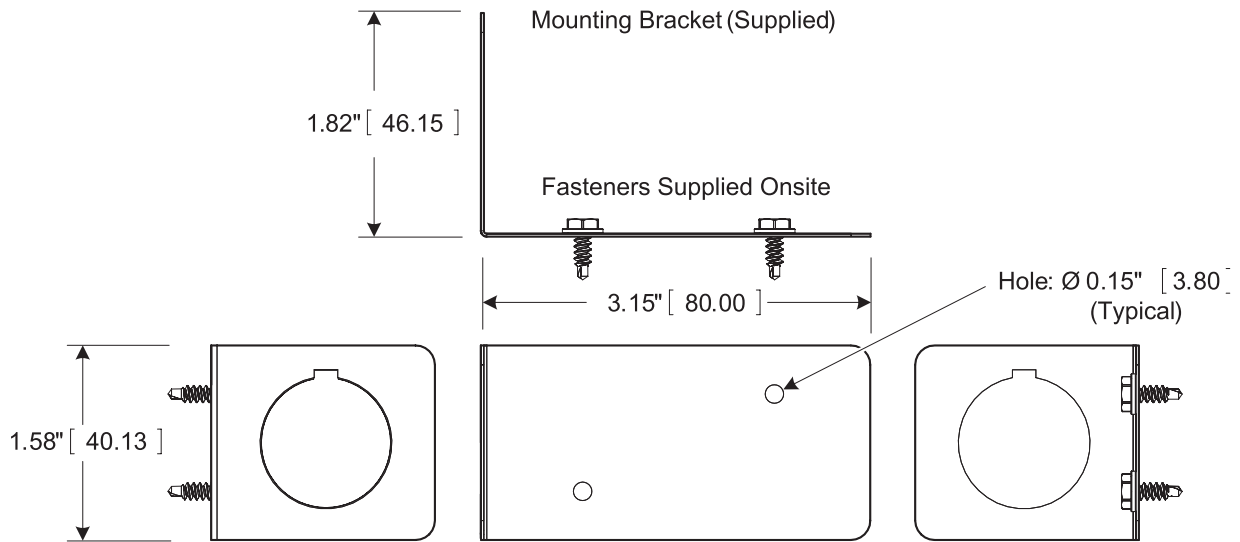
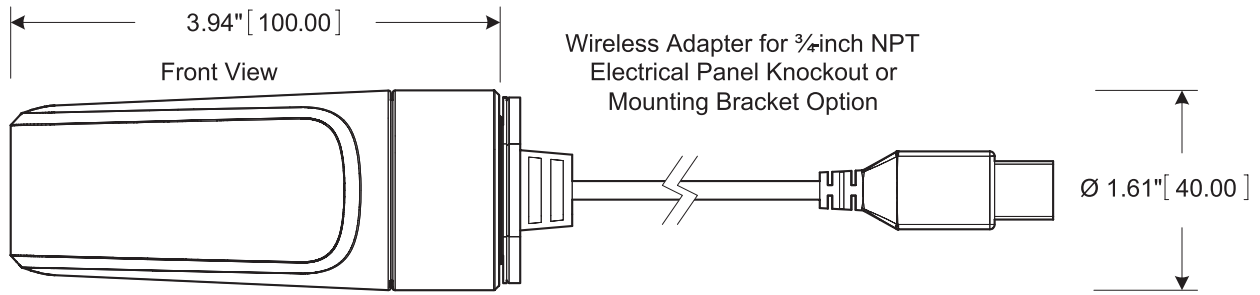
FCC

IC

CE

C-Tick





Specifications subject to change without notice.

ECLYPSE, Distech Controls, the Distech Controls logo, EC-Net, Allure, and Allure UNITOUCH are trademarks of Distech Controls Inc. BACnet is a registered trademark of ASHRAE; BTL is a registered trademark of the BACnet Manufacturers Association. The Bluetooth® word mark and logos are registered trademarks owned by Bluetooth SIG, Inc. and any use of such marks is under license. All other trademarks are property of their respective owners.

©, Distech Controls Inc., 2015 - 2021 All rights reserved.

Global Head Office - 4205 place de Java, Brossard, QC, Canada, J4Y 0C4 - EU Head Office - ZAC de Sacuny, 558 avenue Marcel Mériex, 69530 Brignais, France